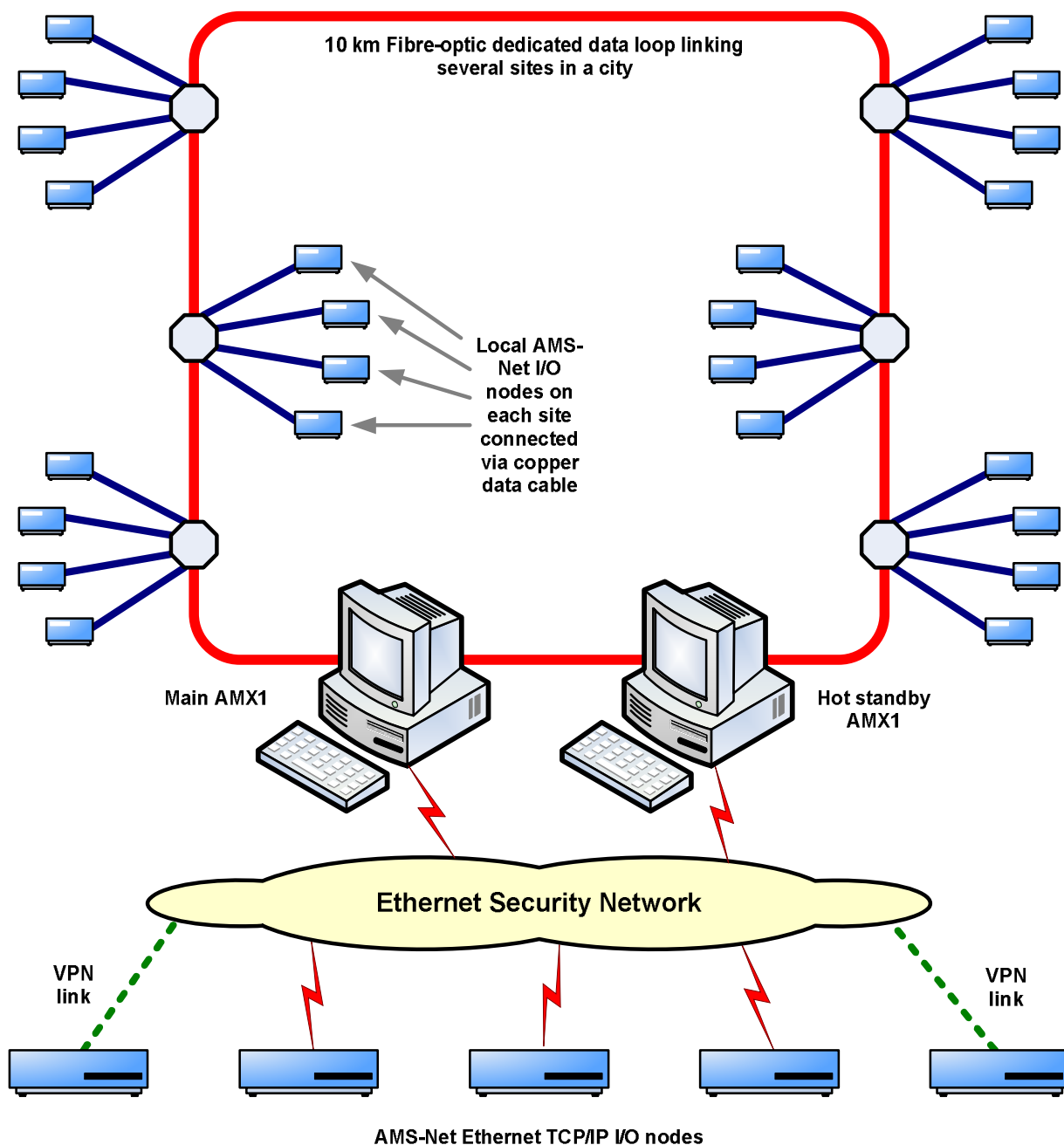




AMX1 and AMS-Net Example



This AMX1 with AMS-Net system is used to monitor alarms from a wide variety of equipment types from various manufacturers.

The client owns a number of sites in a medium-sized city. The sites are linked with a fibre-optic data loop. Over 100 input/output nodes are located around the sites, with each being connected back to a marshalling point using local copper data cables.

As the system continues to grow, newer locations are being added with AMS-Net TCP/IP input/output nodes. These are connected back to the AMX1s using the clients security Ethernet infrastructure, which also carries CCTV traffic. Two very remote locations are connected via VPN links.